

Options

1 Watt Power Amplifier (L3201)

- Connects directly to the LinkXP output
- 1.95 to 2.7 GHz
- Power dissipation 24W
- Input 11.5 V to 16V DC
- 7.8" x 3.9" x 2.4"
(200mm x 100mm x 60mm)



Camera Mounts

(Camera to LinkXP)

- L9922 PAG
- L9928 IDX
- L9931 Anton Bauer



Battery Mounts

(LinkXP to Battery)

- L9919 PAG
- L9924 IDX
- L9920 Anton Bauer

Backpack Mount for LinkXP (L3423)

- Keeps antenna elevated for optimal output
- Includes 1Watt Power Amplifier (L3201)
- 2 battery pouches for hot swap



Antennas

180 Degree Receive Antenna (L3480)

- Ideal for stadium or arean coverage
- 6 dBi
- 1.95 to 2.7 GHz
- Vertical polarization
- 76° Vertical beamwidth
- 170° Horizontal beamwidth
- 3.5" (90mm) Height
- 1.6" (40mm) Width
- 2.6" (65mm) Height



Short Receive Antenna (L3520/3522)

- Omni directional
- 1.95 to 2.7 GHz
- 3 dBi gain
- 4.7" (120mm) Length
- 76° vertical beamwidth
- Model L3520 (white), Model L3522 (black)



Vehicle Transmit Antenna (L3511)

- For ground based reception
- 3 dBi gain
- Vertical polarization
- 76° vertical beamwidth
- 20° degree upward tilt
- 1.95 to 2.7 GHz
- 2.2" (55mm) height



High Gain Antenna (L3601)

- 1.95 to 2.8GHz
- 15 dBi
- 40" (1 meter) length, 1.9" (48mm) diameter
- 20° horizontal/vertical beamwidth
- Clockwise Circular polarization



"Spring" Mount Antenna

- L3421 - 11" (280mm)
- L3423 - 14" (355mm)
- Omni directional for complete freedom of movement
- 1.95 to 2.7 GHz
- 3 dBi
- High active element
- 76° vertical beam width



Up / Down Antenna (L3603)

- For air to ground links and ground to air links
- Ideal for motorbike to helicopter links
- 3.2" (80mm) Height/Width
- 1.7 to 2.8 GHz
- 8 dBi gain
- Clockwise circular polarization
- 85° beam width



Related Literature

- Link XPe
- Link XP HD
- L2000 Series Receivers
- L3020 Down Converter
- Link Triax Interface
- L1250 Remote Control Panel

Wireless Camera Systems



Totally Wireless ...

The LinkXP wireless camera and receive system has been used world wide for news, sports, and event coverage where mobility is most important. Link XP gets your signal out allowing the camera operator to roam freely without the constraint of a cable..

You can upgrade your Link XP system to include camera control, allowing control room producers to adjust camera settings, further freeing the camera operator to concentrate on the shot. In addition, you can add the "return video" option, allowing producers to share other video feeds with the camera operator in order to anticipate an event or action.

The LinkXP transmitter is lightweight and installs on professional cameras using standard battery mounts from Anton Bauer, IDX, or PAG battery systems.

The diversity receive system provides a robust error free signal under the most challenging conditions. The system is flexible and can be configured for diversity configurations from 2 or 4 antennas.

For outside broadcast requiring a remote receiver location, a pair of receive stations connected by triax cable provide a stable signal at distances up 5000 ft.

- Wireless Video System for ENG, Outside Broadcast, Mobile, or Airborne Applications
- Model Features:
 - Link **XP** Standard 2 Channel System
 - Link **XPR** XP with RF Wireless Camera Control
 - Link **XPRV** XP with RF Wireless Camera Control & Reverse Video
- Light weight at 2.2 lbs. (1 kg)
- Low signal delay of just 40ms

- Diversity receive system for robust reception and multiple area coverage
- Optional Remote Receive Station with triax cable at distances up to 5000 ft. (1.5km)
- Instant receiver recovery without blank screens
- Digital COFDM, MPEG 4:2:2 system
- Supports PAL, NTSC, and all international standards
- "Receiver Frame Lock" as standard as standard feature
- "Camera Frame Lock" option
- SDI, ASI, and all professional interfaces supported



www.mrcbroadcast.com



Microwave Radio Communications
101 Billerica Avenue, Building #6
North Billerica, MA USA 01862-1256

Tel: +1.978.671.5700
Fax: +1.978.671.5800
e-mail: info@mrcbroadcast.com

MRC products are manufactured under a quality system certified to ISO 9001. MRC reserves the right to make changes to specifications of products described in this data sheet at any time without notice and without obligation to notify any person of such changes. © January 2006 Microwave Radio Communications



Race Car Mounted Transmitter



Live News Reporting



Outside Broadcast



Stadium or Arena

LinkXP

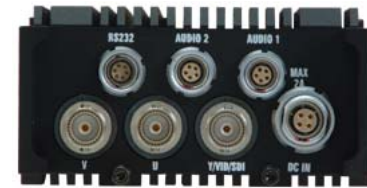
- (L1100)**
- Component Video, SDI & Composite Video Inputs
 - 100mW Output
 - 1.95 to 2.7 / 3.40 to 3.58 GHz
 - DVB-T COFDM
 - MPEG-2 4:2:2
 - Two audio stereo pairs



LinkXP L1100 Transmitter



L1100 Top View



L1100 Bottom View

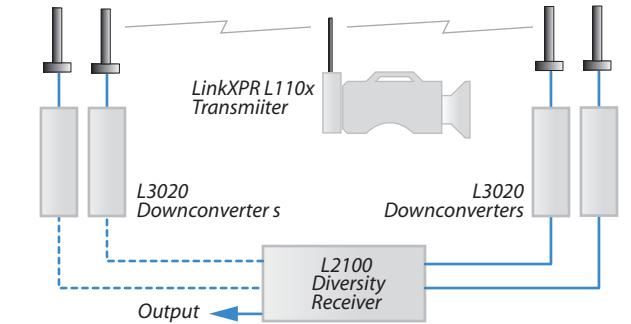
DVB-T COFDM
MPEG 4:2:2



L2100 Receiver

L3020 Downconverter

DIVERSITY RECEIVE



2 or 4 Input Diversity Receive System

Diversity Receiver

- (L2100)**
- DVB-T
 - MPEG-2 4:2:2.
 - Diversity input mode for excellent signal integrity
 - Multiple input and output options for Demodulators, Multiplexers, Decoders, frame lock, & Remodulators
 - Ultra Low Delay at less than 50ms
 - Occupies one half 1 RU rack space for single or dual side by side installation
 - Low power consumption



L2100 Receiver Front Panel



L2100 Receiver Rear Panel

Link XPr

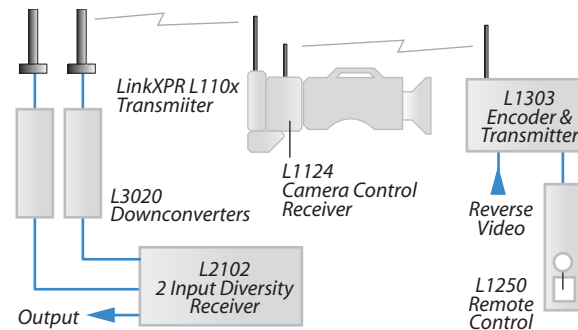
- (L1124)**
- Link XP with Camera Control
 - Standard BVV-5 camera interface
 - Control of tally, white balance, & iris
 - Industry standard UHF reverse control
 - Microphone and line level audio inputs



CAMERA CONTROL

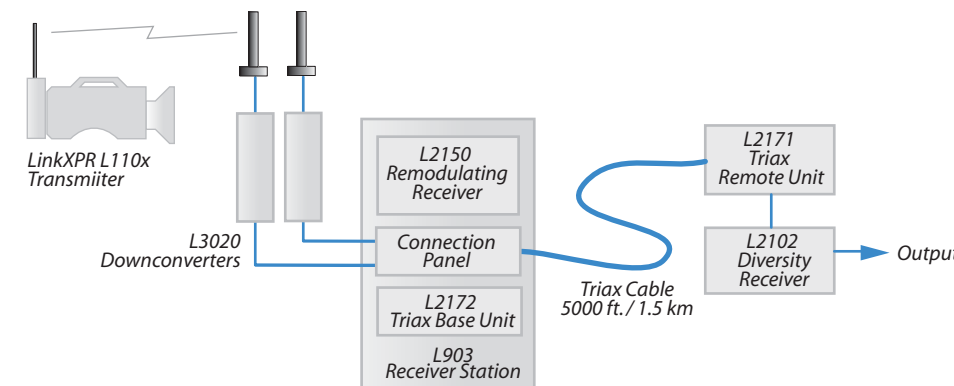
LinkXPrv

- (L1125)**
- LinkXPrv with video return
 - Camera framelock keeping delay to 40ms
 - COFDM reverse video for robust service
 - Reverse frequency range 2.0- 2.11 GHz
 - Allows forward frequencies 2.20 GHz and above
 - Camera control over return video channel



L1124 Receiver

REVERSE VIDEO



REMOTE RECEIVERS



L9203 Receive Station Receiver (Top)
Connection Panel (Middle)
Triax Interface Unit (Bottom)

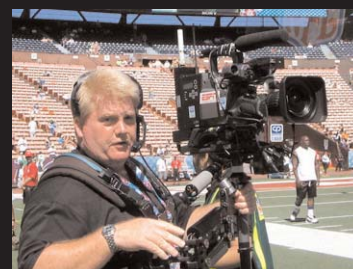
Remote Receive Station

- (L9203)**
- RF & Power combined on triax cable for distances up to 5000 ft. (1.5 km)
 - Receive Station houses Receiver, Triax Interface, and Connection Panel

L1250 Remote Control



FIA GT Championship Czech Repu



2005 Pro Bowl in Hawaii



Euro 2004 Soccer



2005 Super Bowl



D-Day Memorial at Normandy



Monaco Grand Prix



Australian Open



"Zlat Lyze 2005" Nove Mesto na Morave